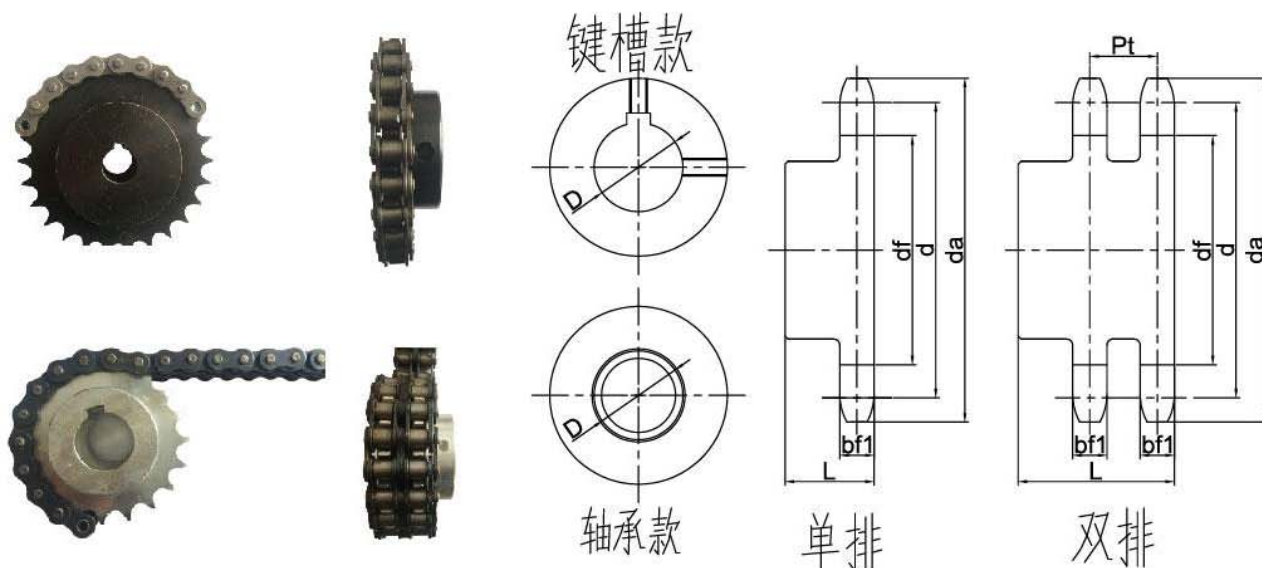


A系列短节距滚子链链轮

Short pitch single roller chain sprocket(A series)



新球链号 Newball chain No.	节距 Pitch	滚子直径 Roller diameter	齿数 Number of teeth	系数 coefficient	齿宽 Tooth width	排距 Transverse pitch	分度圆 Pitch circle	齿根圆 Root circle	齿顶圆 Tip circle	内孔直径 Diameter of bore	总厚度 Aggregate thickness
P	d1	Z	K	bf1	Pt	d	df	da	D	L	
尺寸单位mm											
06C (35)	9.525	5.08	9	2.9238	4.4	10.13	27.85	22.77	32	根据客户要求	根据客户要求
	9.525	5.08	10	3.2361			30.82	25.74	35		
	9.525	5.08	11	3.5494			33.81	28.73	38		
	9.525	5.08	12	3.8637			36.80	31.72	41		
	9.525	5.08	13	4.1786			39.80	34.72	44		
	9.525	5.08	14	4.494			42.81	37.73	47		
	9.525	5.08	15	4.8097			45.81	40.73	50		
	9.525	5.08	16	5.1258			48.82	43.74	53		
	9.525	5.08	17	5.4422			51.84	46.76	56		
	9.525	5.08	18	5.7588			54.85	49.77	59		
	9.525	5.08	19	6.0755			57.87	52.79	62		
	9.525	5.08	20	6.3925			60.89	55.81	65		
	9.525	5.08	21	6.7095			63.91	58.83	68		
	9.525	5.08	22	7.0266			66.93	61.85	71		
	9.525	5.08	23	7.3439			69.95	64.87	74		
	9.525	5.08	24	7.6613			72.97	67.89	77		
	9.525	5.08	25	7.9787			76.00	70.92	80		
	9.525	5.08	26	8.2962			79.02	73.94	83		
	9.525	5.08	27	8.6138			82.05	76.97	86		
	9.525	5.08	28	8.9314			85.07	79.99	89		
9.525	5.08	29	9.2491	88.10	83.02	92					
9.525	5.08	30	9.5668	91.12	86.04	95					

只列举到30齿，齿数可根据客户需求定做

PRODUCT INTRODUCTION

产品介绍

新球链号 Newball chain No.	节距 Pitch	滚子直径 Roller diameter	齿数 Number of teeth	系数 coefficient	齿宽 Tooth width	排距 Transverse pitch	分度圆 Pitch circle	齿根圆 Root circle	齿顶圆 Tip circle	内孔直径 Diameter of bore	总厚度 Aggregate thickness
	P	d1	Z	K	bf1	Pt	d	df	da	D	L
尺寸单位mm											
08A (40)	12.7	7.95	9	2.9238	7.2	14.38	37.13	29.18	43	根据客户要求	根据客户要求
	12.7	7.95	10	3.2361			41.10	33.15	47		
	12.7	7.95	11	3.5494			45.08	37.13	51		
	12.7	7.95	12	3.8637			49.07	41.12	55		
	12.7	7.95	13	4.1786			53.07	45.12	59		
	12.7	7.95	14	4.494			57.07	49.12	63		
	12.7	7.95	15	4.8097			61.08	53.13	67		
	12.7	7.95	16	5.1258			65.10	57.15	71		
	12.7	7.95	17	5.4422			69.12	61.17	75		
	12.7	7.95	18	5.7588			73.14	65.19	79		
	12.7	7.95	19	6.0755			77.16	69.21	83		
	12.7	7.95	20	6.3925			81.18	73.23	87		
	12.7	7.95	21	6.7095			85.21	77.26	91		
	12.7	7.95	22	7.0266			89.24	81.29	95		
	12.7	7.95	23	7.3439			93.27	85.32	99		
	12.7	7.95	24	7.6613			97.30	89.35	103		
	12.7	7.95	25	7.9787			101.33	93.38	107		
	12.7	7.95	26	8.2962			105.36	97.41	111		
	12.7	7.95	27	8.6138			109.40	101.45	115		
	12.7	7.95	28	8.9314			113.43	105.48	119		
12.7	7.95	29	9.2491	117.46	109.51	123					
12.7	7.95	30	9.5668	121.50	113.55	127					
只列举到30齿, 齿数可根据客户需求定做											
10A (50)	15.875	10.16	9	2.9238	8.6	18.11	46.42	36.26	54	根据客户要求	根据客户要求
	15.875	10.16	10	3.2361			51.37	41.21	59		
	15.875	10.16	11	3.5494			56.35	46.19	64		
	15.875	10.16	12	3.8637			61.34	51.18	69		
	15.875	10.16	13	4.1786			66.34	56.18	74		
	15.875	10.16	14	4.494			71.34	61.18	79		
	15.875	10.16	15	4.8097			76.35	66.19	84		
	15.875	10.16	16	5.1258			81.37	71.21	89		
	15.875	10.16	17	5.4422			86.39	76.23	94		
	15.875	10.16	18	5.7588			91.42	81.26	99		
	15.875	10.16	19	6.0755			96.45	86.29	104		
	15.875	10.16	20	6.3925			101.48	91.32	109		
	15.875	10.16	21	6.7095			106.51	96.35	114		
	15.875	10.16	22	7.0266			111.55	101.39	119		
	15.875	10.16	23	7.3439			116.58	106.42	124		
	15.875	10.16	24	7.6613			121.62	111.46	129		
	15.875	10.16	25	7.9787			126.66	116.50	134		
	15.875	10.16	26	8.2962			131.70	121.54	139		
	15.875	10.16	27	8.6138			136.74	126.58	144		
	15.875	10.16	28	8.9314			141.79	131.63	149		
15.875	10.16	29	9.2491	146.83	136.67	154					
15.875	10.16	30	9.5668	151.87	141.71	159					
只列举到30齿, 齿数可根据客户需求定做											

新球链号 Newball chain No.	节距 Pitch	滚子直径 Roller diameter	齿数 Number of teeth	系数 coefficient	齿宽 Tooth width	排距 Transverse pitch	分度圆 Pitch circle	齿根圆 Root circle	齿顶圆 Tip circle	内孔直径 Diameter of bore	总厚度 Aggregate thickness
	P	d1	Z	K	bf1	Pt	d	df	da	D	L
尺寸单位mm											
12A(60)	19.05	11.91	9	2.9238	11.6	22.78	55.70	43.79	65	根据客户要求	根据客户要求
	19.05	11.91	10	3.2361			61.65	49.74	71		
	19.05	11.91	11	3.5494			67.62	55.71	77		
	19.05	11.91	12	3.8637			73.60	61.69	83		
	19.05	11.91	13	4.1786			79.60	67.69	89		
	19.05	11.91	14	4.494			85.61	73.70	95		
	19.05	11.91	15	4.8097			91.62	79.71	101		
	19.05	11.91	16	5.1258			97.65	85.74	107		
	19.05	11.91	17	5.4422			103.67	91.76	113		
	19.05	11.91	18	5.7588			109.71	97.80	119		
	19.05	11.91	19	6.0755			115.74	103.83	125		
	19.05	11.91	20	6.3925			121.78	109.87	131		
	19.05	11.91	21	6.7095			127.82	115.91	137		
	19.05	11.91	22	7.0266			133.86	121.95	143		
	19.05	11.91	23	7.3439			139.90	127.99	149		
	19.05	11.91	24	7.6613			145.95	134.04	155		
	19.05	11.91	25	7.9787			151.99	140.08	161		
	19.05	11.91	26	8.2962			158.04	146.13	167		
	19.05	11.91	27	8.6138			164.09	152.18	173		
	19.05	11.91	28	8.9314			170.14	158.23	179		
19.05	11.91	29	9.2491	176.20	164.29	185					
19.05	11.91	30	9.5668	182.25	170.34	191					
只列举到30齿，齿数可根据客户需求定做											
16A(80)	25.4	15.88	9	2.9238	14.5	29.29	74.26	58.38	86	根据客户要求	根据客户要求
	25.4	15.88	10	3.2361			82.20	66.32	94		
	25.4	15.88	11	3.5494			90.15	74.27	102		
	25.4	15.88	12	3.8637			98.14	82.26	110		
	25.4	15.88	13	4.1786			106.14	90.26	118		
	25.4	15.88	14	4.494			114.15	98.27	126		
	25.4	15.88	15	4.8097			122.17	106.29	134		
	25.4	15.88	16	5.1258			130.20	114.32	142		
	25.4	15.88	17	5.4422			138.23	122.35	150		
	25.4	15.88	18	5.7588			146.27	130.39	158		
	25.4	15.88	19	6.0755			154.32	138.44	166		
	25.4	15.88	20	6.3925			162.37	146.49	174		
	25.4	15.88	21	6.7095			170.42	154.54	182		
	25.4	15.88	22	7.0266			178.48	162.60	190		
	25.4	15.88	23	7.3439			186.54	170.66	198		
	25.4	15.88	24	7.6613			194.60	178.72	207		
	25.4	15.88	25	7.9787			202.66	186.78	215		
	25.4	15.88	26	8.2962			210.72	194.84	223		
	25.4	15.88	27	8.6138			218.79	202.91	231		
	25.4	15.88	28	8.9314			226.86	210.98	239		
25.4	15.88	29	9.2491	234.93	219.05	247					
25.4	15.88	30	9.5668	243.00	227.12	255					
只列举到30齿，齿数可根据客户需求定做											

PRODUCT INTRODUCTION

产品介绍

新球链号 Newball chain No.	节距 Pitch	滚子直径 Roller diameter	齿数 Number of teeth	系数 coefficient	齿宽 Tooth width	排距 Transverse pitch	分度圆 Pitch circle	齿根圆 Root circle	齿顶圆 Tip circle	内孔直径 Diameter of bore	总厚度 Aggregate thickness
	P	d1	Z	K	bf1	Pt	d	df	da	D	L
尺寸单位mm											
20A (100)	31.75	19.05	9	2.9238	17.5	35.76	92.83	73.78	107	根据客户要求	根据客户要求
	31.75	19.05	10	3.2361			102.75	83.70	117		
	31.75	19.05	11	3.5494			112.69	93.64	127		
	31.75	19.05	12	3.8637			122.67	103.62	137		
	31.75	19.05	13	4.1786			132.67	113.62	147		
	31.75	19.05	14	4.494			142.68	123.63	157		
	31.75	19.05	15	4.8097			152.71	133.66	167		
	31.75	19.05	16	5.1258			162.74	143.69	177		
	31.75	19.05	17	5.4422			172.79	153.74	187		
	31.75	19.05	18	5.7588			182.84	163.79	197		
	31.75	19.05	19	6.0755			192.90	173.85	207		
	31.75	19.05	20	6.3925			202.96	183.91	217		
	31.75	19.05	21	6.7095			213.03	193.98	227		
	31.75	19.05	22	7.0266			223.09	204.04	237		
	31.75	19.05	23	7.3439			233.17	214.12	247		
	31.75	19.05	24	7.6613			243.25	224.20	258		
	31.75	19.05	25	7.9787			253.32	234.27	268		
	31.75	19.05	26	8.2962			263.40	244.35	278		
	31.75	19.05	27	8.6138			273.49	254.44	288		
	31.75	19.05	28	8.9314			283.57	264.52	298		
31.75	19.05	29	9.2491	293.66	274.61	308					
31.75	19.05	30	9.5668	303.75	284.70	318					
只列举到30齿，齿数可根据客户需求定做											
24A(120)	38.1	22.23	9	2.9238	23.5	45.44	111.40	89.17	128	根据客户要求	根据客户要求
	38.1	22.23	10	3.2361			123.30	101.07	140		
	38.1	22.23	11	3.5494			135.23	113.00	152		
	38.1	22.23	12	3.8637			147.21	124.98	164		
	38.1	22.23	13	4.1786			159.20	136.97	176		
	38.1	22.23	14	4.494			171.22	148.99	188		
	38.1	22.23	15	4.8097			183.25	161.02	200		
	38.1	22.23	16	5.1258			195.29	173.06	212		
	38.1	22.23	17	5.4422			207.35	185.12	224		
	38.1	22.23	18	5.7588			219.41	197.18	236		
	38.1	22.23	19	6.0755			231.48	209.25	248		
	38.1	22.23	20	6.3925			243.55	221.32	260		
	38.1	22.23	21	6.7095			255.63	233.40	272		
	38.1	22.23	22	7.0266			267.71	245.48	284		
	38.1	22.23	23	7.3439			279.80	257.57	296		
	38.1	22.23	24	7.6613			291.90	269.67	309		
	38.1	22.23	25	7.9787			303.99	281.76	321		
	38.1	22.23	26	8.2962			316.09	293.86	333		
	38.1	22.23	27	8.6138			328.19	305.96	345		
	38.1	22.23	28	8.9314			340.29	318.06	357		
38.1	22.23	29	9.2491	352.39	330.16	369					
38.1	22.23	30	9.5668	364.50	342.27	381					
只列举到30齿，齿数可根据客户需求定做											

新球链号 Newball chain No.	节距 Pitch	滚子直径 Roller diameter	齿数 Number of teeth	系数 coefficient	齿宽 Tooth width	排距 Transverse pitch	分度圆 Pitch circle	齿根圆 Root circle	齿顶圆 Tip circle	内孔直径 Diameter of bore	总厚度 Aggregate thickness
	P	d1	Z	K	bf1	Pt	d	df	da	D	L
尺寸单位mm											
28A(140)	44.45	25.4	9	2.9238	23.5	48.87	129.96	104.56	149	根据客户要求	根据客户要求
	44.45	25.4	10	3.2361			143.84	118.44	163		
	44.45	25.4	11	3.5494			157.77	132.37	177		
	44.45	25.4	12	3.8637			171.74	146.34	191		
	44.45	25.4	13	4.1786			185.74	160.34	205		
	44.45	25.4	14	4.494			199.76	174.36	219		
	44.45	25.4	15	4.8097			213.79	188.39	233		
	44.45	25.4	16	5.1258			227.84	202.44	247		
	44.45	25.4	17	5.4422			241.91	216.51	261		
	44.45	25.4	18	5.7588			255.98	230.58	275		
	44.45	25.4	19	6.0755			270.06	244.66	289		
	44.45	25.4	20	6.3925			284.15	258.75	303		
	44.45	25.4	21	6.7095			298.24	272.84	317		
	44.45	25.4	22	7.0266			312.33	286.93	331		
	44.45	25.4	23	7.3439			326.44	301.04	345		
	44.45	25.4	24	7.6613			340.54	315.14	360		
	44.45	25.4	25	7.9787			354.65	329.25	374		
	44.45	25.4	26	8.2962			368.77	343.37	388		
	44.45	25.4	27	8.6138			382.88	357.48	402		
	44.45	25.4	28	8.9314			397.00	371.60	416		
44.45	25.4	29	9.2491	411.12	385.72	430					
44.45	25.4	30	9.5668	425.24	399.84	444					
只列举到30齿，齿数可根据客户需求定做											
32A(160)	50.8	28.58	9	2.9238	29.5	58.55	148.53	119.95	170	根据客户要求	根据客户要求
	50.8	28.58	10	3.2361			164.39	135.81	186		
	50.8	28.58	11	3.5494			180.31	151.73	202		
	50.8	28.58	12	3.8637			196.28	167.70	218		
	50.8	28.58	13	4.1786			212.27	183.69	234		
	50.8	28.58	14	4.494			228.30	199.72	250		
	50.8	28.58	15	4.8097			244.33	215.75	266		
	50.8	28.58	16	5.1258			260.39	231.81	282		
	50.8	28.58	17	5.4422			276.46	247.88	298		
	50.8	28.58	18	5.7588			292.55	263.97	314		
	50.8	28.58	19	6.0755			308.64	280.06	330		
	50.8	28.58	20	6.3925			324.74	296.16	346		
	50.8	28.58	21	6.7095			340.84	312.26	362		
	50.8	28.58	22	7.0266			356.95	328.37	378		
	50.8	28.58	23	7.3439			373.07	344.49	395		
	50.8	28.58	24	7.6613			389.19	360.61	411		
	50.8	28.58	25	7.9787			405.32	376.74	427		
	50.8	28.58	26	8.2962			421.45	392.87	443		
	50.8	28.58	27	8.6138			437.58	409.00	459		
	50.8	28.58	28	8.9314			453.72	425.14	475		
50.8	28.58	29	9.2491	469.85	441.27	491					
50.8	28.58	30	9.5668	485.99	457.41	507					
只列举到30齿，齿数可根据客户需求定做											

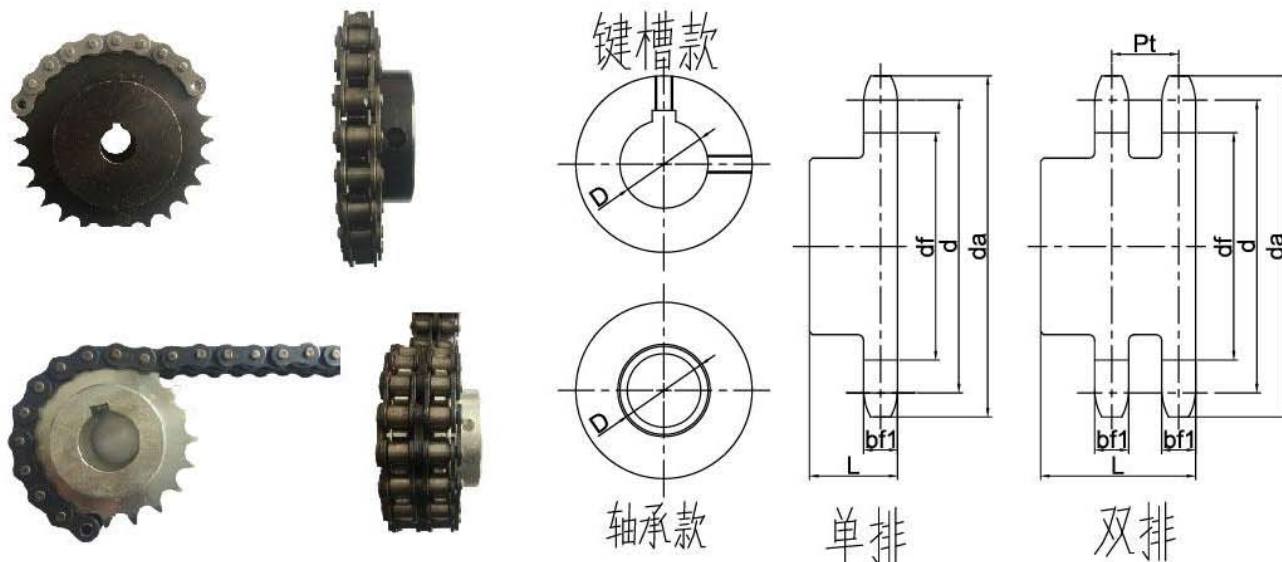
PRODUCT INTRODUCTION

产品介绍

新球链号 Newball chain No.	节距 Pitch	滚子直径 Roller diameter	齿数 Number of teeth	系数 coefficient	齿宽 Tooth width	排距 Transverse pitch	分度圆 Pitch circle	齿根圆 Root circle	齿顶圆 Tip circle	内孔直径 Diameter of bore	总厚度 Aggregate thickness
	P	d1	Z	K	bf1	Pt	d	df	da	D	L
尺寸单位mm											
40A(200)	63.5	39.68	9	2.9238	35.5	71.55	185.66	145.98	215	根据客户要求	根据客户要求
	63.5	39.68	10	3.2361			205.49	165.81	235		
	63.5	39.68	11	3.5494			225.39	185.71	255		
	63.5	39.68	12	3.8637			245.34	205.66	275		
	63.5	39.68	13	4.1786			265.34	225.66	295		
	63.5	39.68	14	4.494			285.37	245.69	315		
	63.5	39.68	15	4.8097			305.42	265.74	335		
	63.5	39.68	16	5.1258			325.49	285.81	355		
	63.5	39.68	17	5.4422			345.58	305.90	375		
	63.5	39.68	18	5.7588			365.68	326.00	395		
	63.5	39.68	19	6.0755			385.79	346.11	416		
	63.5	39.68	20	6.3925			405.92	366.24	436		
	63.5	39.68	21	6.7095			426.05	386.37	456		
	63.5	39.68	22	7.0266			446.19	406.51	476		
	63.5	39.68	23	7.3439			466.34	426.66	496		
	63.5	39.68	24	7.6613			486.49	446.81	516		
	63.5	39.68	25	7.9787			506.65	466.97	536		
	63.5	39.68	26	8.2962			526.81	487.13	557		
	63.5	39.68	27	8.6138			546.98	507.30	577		
	63.5	39.68	28	8.9314			567.14	527.46	597		
63.5	39.68	29	9.2491	587.32	547.64	617					
63.5	39.68	30	9.5668	607.49	567.81	637					
只列举到30齿，齿数可根据客户需求定做											
48A (240)	76.2	47.63	9	2.9238	44.5	87.83	222.79	175.16	259	根据客户要求	根据客户要求
	76.2	47.63	10	3.2361			246.59	198.96	282		
	76.2	47.63	11	3.5494			270.46	222.83	306		
	76.2	47.63	12	3.8637			294.41	246.78	330		
	76.2	47.63	13	4.1786			318.41	270.78	354		
	76.2	47.63	14	4.494			342.44	294.81	378		
	76.2	47.63	15	4.8097			366.50	318.87	402		
	76.2	47.63	16	5.1258			390.59	342.96	426		
	76.2	47.63	17	5.4422			414.70	367.07	450		
	76.2	47.63	18	5.7588			438.82	391.19	475		
	76.2	47.63	19	6.0755			462.95	415.32	499		
	76.2	47.63	20	6.3925			487.11	439.48	523		
	76.2	47.63	21	6.7095			511.26	463.63	547		
	76.2	47.63	22	7.0266			535.43	487.80	571		
	76.2	47.63	23	7.3439			559.61	511.98	595		
	76.2	47.63	24	7.6613			583.79	536.16	620		
	76.2	47.63	25	7.9787			607.98	560.35	644		
	76.2	47.63	26	8.2962			632.17	584.54	668		
	76.2	47.63	27	8.6138			656.37	608.74	692		
	76.2	47.63	28	8.9314			680.57	632.94	716		
76.2	47.63	29	9.2491	704.78	657.15	741					
76.2	47.63	30	9.5668	728.99	681.36	765					
只列举到30齿，齿数可根据客户需求定做											

B系列短节距滚子链链轮

Short pitch single roller chain sprocket(B series)



新球链号 Newball chain No.	节距 Pitch	滚子直径 Roller diameter	齿数 Number of teeth	系数 coefficient	齿宽 Tooth width	排距 Transverse pitch	分度圆 Pitch circle	齿根圆 Root circle	齿顶圆 Tip circle	内孔直径 Diameter of bore	总厚度 Aggregate thickness
	P	d1	Z	K	bf1	Pt	d	df	da	D	L
尺寸单位mm											
06B	9.525	6.35	9	2.9238	5.3	10.24	27.85	21.50	33	根据客户要求	根据客户要求
	9.525	6.35	10	3.2361			30.82	24.47	36		
	9.525	6.35	11	3.5494			33.81	27.46	39		
	9.525	6.35	12	3.8637			36.80	30.45	42		
	9.525	6.35	13	4.1786			39.80	33.45	45		
	9.525	6.35	14	4.494			42.81	36.46	48		
	9.525	6.35	15	4.8097			45.81	39.46	51		
	9.525	6.35	16	5.1258			48.82	42.47	54		
	9.525	6.35	17	5.4422			51.84	45.49	57		
	9.525	6.35	18	5.7588			54.85	48.50	60		
	9.525	6.35	19	6.0755			57.87	51.52	63		
	9.525	6.35	20	6.3925			60.89	54.54	66		
	9.525	6.35	21	6.7095			63.91	57.56	69		
	9.525	6.35	22	7.0266			66.93	60.58	72		
	9.525	6.35	23	7.3439			69.95	63.60	75		
	9.525	6.35	24	7.6613			72.97	66.62	78		
	9.525	6.35	25	7.9787			76.00	69.65	81		
	9.525	6.35	26	8.2962			79.02	72.67	84		
	9.525	6.35	27	8.6138			82.05	75.70	87		
	9.525	6.35	28	8.9314			85.07	78.72	90		
9.525	6.35	29	9.2491	88.10	81.75	93					
9.525	6.35	30	9.5668	91.12	84.77	96					

只列举到30齿，齿数可根据客户需求定做

PRODUCT INTRODUCTION

产品介绍

新球链号 Newball chain No.	节距 Pitch	滚子直径 Roller diameter	齿数 Number of teeth	系数 coefficient	齿宽 Tooth width	排距 Transverse pitch	分度圆 Pitch circle	齿根圆 Root circle	齿顶圆 Tip circle	内孔直径 Diameter of bore	总厚度 Aggregate thickness
	P	d1	Z	K	bf1	Pt	d	df	da	D	L
尺寸单位mm											
08B	12.7	8.51	9	2.9238	7.1	13.92	37.13	28.62	44	根据客户要求	根据客户要求
	12.7	8.51	10	3.2361			41.10	32.59	47		
	12.7	8.51	11	3.5494			45.08	36.57	51		
	12.7	8.51	12	3.8637			49.07	40.56	55		
	12.7	8.51	13	4.1786			53.07	44.56	59		
	12.7	8.51	14	4.494			57.07	48.56	63		
	12.7	8.51	15	4.8097			61.08	52.57	67		
	12.7	8.51	16	5.1258			65.10	56.59	71		
	12.7	8.51	17	5.4422			69.12	60.61	75		
	12.7	8.51	18	5.7588			73.14	64.63	80		
	12.7	8.51	19	6.0755			77.16	68.65	84		
	12.7	8.51	20	6.3925			81.18	72.67	88		
	12.7	8.51	21	6.7095			85.21	76.70	92		
	12.7	8.51	22	7.0266			89.24	80.73	96		
	12.7	8.51	23	7.3439			93.27	84.76	100		
	12.7	8.51	24	7.6613			97.30	88.79	104		
	12.7	8.51	25	7.9787			101.33	92.82	108		
	12.7	8.51	26	8.2962			105.36	96.85	112		
	12.7	8.51	27	8.6138			109.40	100.89	116		
	12.7	8.51	28	8.9314			113.43	104.92	120		
12.7	8.51	29	9.2491	117.46	108.95	124					
12.7	8.51	30	9.5668	121.50	112.99	128					
只列举到30齿, 齿数可根据客户需求定做											
10B	15.875	10.16	9	2.9238	9.2	16.59	46.42	36.26	54	根据客户要求	根据客户要求
	15.875	10.16	10	3.2361			51.37	41.21	59		
	15.875	10.16	11	3.5494			56.35	46.19	64		
	15.875	10.16	12	3.8637			61.34	51.18	69		
	15.875	10.16	13	4.1786			66.34	56.18	74		
	15.875	10.16	14	4.494			71.34	61.18	79		
	15.875	10.16	15	4.8097			76.35	66.19	84		
	15.875	10.16	16	5.1258			81.37	71.21	89		
	15.875	10.16	17	5.4422			86.39	76.23	94		
	15.875	10.16	18	5.7588			91.42	81.26	99		
	15.875	10.16	19	6.0755			96.45	86.29	104		
	15.875	10.16	20	6.3925			101.48	91.32	109		
	15.875	10.16	21	6.7095			106.51	96.35	114		
	15.875	10.16	22	7.0266			111.55	101.39	119		
	15.875	10.16	23	7.3439			116.58	106.42	124		
	15.875	10.16	24	7.6613			121.62	111.46	129		
	15.875	10.16	25	7.9787			126.66	116.50	134		
	15.875	10.16	26	8.2962			131.70	121.54	139		
	15.875	10.16	27	8.6138			136.74	126.58	144		
	15.875	10.16	28	8.9314			141.79	131.63	149		
15.875	10.16	29	9.2491	146.83	136.67	154					
15.875	10.16	30	9.5668	151.87	141.71	159					
只列举到30齿, 齿数可根据客户需求定做											

新球链号 Newball chain No.	节距 Pitch	滚子直径 Roller diameter	齿数 Number of teeth	系数 coefficient	齿宽 Tooth width	排距 Transverse pitch	分度圆 Pitch circle	齿根圆 Root circle	齿顶圆 Tip circle	内孔直径 Diameter of bore	总厚度 Aggregate thickness
	P	d1	Z	K	bf1	Pt	d	df	da	D	L
尺寸单位mm											
12B	19.05	12.07	9	2.9238	11	19.46	55.70	43.63	65	根据客户要求	根据客户要求
	19.05	12.07	10	3.2361			61.65	49.58	71		
	19.05	12.07	11	3.5494			67.62	55.55	77		
	19.05	12.07	12	3.8637			73.60	61.53	83		
	19.05	12.07	13	4.1786			79.60	67.53	89		
	19.05	12.07	14	4.494			85.61	73.54	95		
	19.05	12.07	15	4.8097			91.62	79.55	101		
	19.05	12.07	16	5.1258			97.65	85.58	107		
	19.05	12.07	17	5.4422			103.67	91.60	113		
	19.05	12.07	18	5.7588			109.71	97.64	119		
	19.05	12.07	19	6.0755			115.74	103.67	125		
	19.05	12.07	20	6.3925			121.78	109.71	131		
	19.05	12.07	21	6.7095			127.82	115.75	137		
	19.05	12.07	22	7.0266			133.86	121.79	143		
	19.05	12.07	23	7.3439			139.90	127.83	149		
	19.05	12.07	24	7.6613			145.95	133.88	155		
	19.05	12.07	25	7.9787			151.99	139.92	161		
	19.05	12.07	26	8.2962			158.04	145.97	167		
	19.05	12.07	27	8.6138			164.09	152.02	173		
	19.05	12.07	28	8.9314			170.14	158.07	179		
19.05	12.07	29	9.2491	176.20	164.13	185					
19.05	12.07	30	9.5668	182.25	170.18	191					
只列举到30齿，齿数可根据客户需求定做											
16B	25.4	15.88	9	2.9238	16.2	31.88	74.26	58.38	86	根据客户要求	根据客户要求
	25.4	15.88	10	3.2361			82.20	66.32	94		
	25.4	15.88	11	3.5494			90.15	74.27	102		
	25.4	15.88	12	3.8637			98.14	82.26	110		
	25.4	15.88	13	4.1786			106.14	90.26	118		
	25.4	15.88	14	4.494			114.15	98.27	126		
	25.4	15.88	15	4.8097			122.17	106.29	134		
	25.4	15.88	16	5.1258			130.20	114.32	142		
	25.4	15.88	17	5.4422			138.23	122.35	150		
	25.4	15.88	18	5.7588			146.27	130.39	158		
	25.4	15.88	19	6.0755			154.32	138.44	166		
	25.4	15.88	20	6.3925			162.37	146.49	174		
	25.4	15.88	21	6.7095			170.42	154.54	182		
	25.4	15.88	22	7.0266			178.48	162.60	190		
	25.4	15.88	23	7.3439			186.54	170.66	198		
	25.4	15.88	24	7.6613			194.60	178.72	207		
	25.4	15.88	25	7.9787			202.66	186.78	215		
	25.4	15.88	26	8.2962			210.72	194.84	223		
	25.4	15.88	27	8.6138			218.79	202.91	231		
	25.4	15.88	28	8.9314			226.86	210.98	239		
25.4	15.88	29	9.2491	234.93	219.05	247					
25.4	15.88	30	9.5668	243.00	227.12	255					
只列举到30齿，齿数可根据客户需求定做											

PRODUCT INTRODUCTION

产品介绍

新球链号 Newball chain No.	节距 Pitch	滚子直径 Roller diameter	齿数 Number of teeth	系数 coefficient	齿宽 Tooth width	排距 Transverse pitch	分度圆 Pitch circle	齿根圆 Root circle	齿顶圆 Tip circle	内孔直径 Diameter of bore	总厚度 Aggregate thickness
	P	d1	Z	K	bf1	Pt	d	df	da	D	L
尺寸单位mm											
20B	31.75	19.05	9	2.9238	18.6	36.45	92.83	73.78	107	根据客户要求	根据客户要求
	31.75	19.05	10	3.2361			102.75	83.70	117		
	31.75	19.05	11	3.5494			112.69	93.64	127		
	31.75	19.05	12	3.8637			122.67	103.62	137		
	31.75	19.05	13	4.1786			132.67	113.62	147		
	31.75	19.05	14	4.494			142.68	123.63	157		
	31.75	19.05	15	4.8097			152.71	133.66	167		
	31.75	19.05	16	5.1258			162.74	143.69	177		
	31.75	19.05	17	5.4422			172.79	153.74	187		
	31.75	19.05	18	5.7588			182.84	163.79	197		
	31.75	19.05	19	6.0755			192.90	173.85	207		
	31.75	19.05	20	6.3925			202.96	183.91	217		
	31.75	19.05	21	6.7095			213.03	193.98	227		
	31.75	19.05	22	7.0266			223.09	204.04	237		
	31.75	19.05	23	7.3439			233.17	214.12	247		
	31.75	19.05	24	7.6613			243.25	224.20	258		
	31.75	19.05	25	7.9787			253.32	234.27	268		
	31.75	19.05	26	8.2962			263.40	244.35	278		
	31.75	19.05	27	8.6138			273.49	254.44	288		
	31.75	19.05	28	8.9314			283.57	264.52	298		
31.75	19.05	29	9.2491	293.66	274.61	308					
31.75	19.05	30	9.5668	303.75	284.70	318					
只列举到30齿，齿数可根据客户需求定做											
24B	38.1	25.4	9	2.9238	24.2	48.36	111.40	86.00	130	根据客户要求	根据客户要求
	38.1	25.4	10	3.2361			123.30	97.90	142		
	38.1	25.4	11	3.5494			135.23	109.83	154		
	38.1	25.4	12	3.8637			147.21	121.81	166		
	38.1	25.4	13	4.1786			159.20	133.80	178		
	38.1	25.4	14	4.494			171.22	145.82	190		
	38.1	25.4	15	4.8097			183.25	157.85	202		
	38.1	25.4	16	5.1258			195.29	169.89	214		
	38.1	25.4	17	5.4422			207.35	181.95	226		
	38.1	25.4	18	5.7588			219.41	194.01	238		
	38.1	25.4	19	6.0755			231.48	206.08	251		
	38.1	25.4	20	6.3925			243.55	218.15	263		
	38.1	25.4	21	6.7095			255.63	230.23	275		
	38.1	25.4	22	7.0266			267.71	242.31	287		
	38.1	25.4	23	7.3439			279.80	254.40	299		
	38.1	25.4	24	7.6613			291.90	266.50	311		
	38.1	25.4	25	7.9787			303.99	278.59	323		
	38.1	25.4	26	8.2962			316.09	290.69	335		
	38.1	25.4	27	8.6138			328.19	302.79	347		
	38.1	25.4	28	8.9314			340.29	314.89	359		
38.1	25.4	29	9.2491	352.39	326.99	371					
38.1	25.4	30	9.5668	364.50	339.10	384					
只列举到30齿，齿数可根据客户需求定做											

新球链号 Newball chain No.	节距 Pitch	滚子直径 Roller diameter	齿数 Number of teeth	系数 coefficient	齿宽 Tooth width	排距 Transverse pitch	分度圆 Pitch circle	齿根圆 Root circle	齿顶圆 Tip circle	内孔直径 Diameter of bore	总厚度 Aggregate thickness
	P	d1	Z	K	bf1	Pt	d	df	da	D	L
尺寸单位mm											
28B	44.45	27.94	9	2.9238	29.5	59.56	129.96	102.02	151	根据客户要求	根据客户要求
	44.45	27.94	10	3.2361			143.84	115.90	165		
	44.45	27.94	11	3.5494			157.77	129.83	179		
	44.45	27.94	12	3.8637			171.74	143.80	193		
	44.45	27.94	13	4.1786			185.74	157.80	207		
	44.45	27.94	14	4.494			199.76	171.82	221		
	44.45	27.94	15	4.8097			213.79	185.85	235		
	44.45	27.94	16	5.1258			227.84	199.90	249		
	44.45	27.94	17	5.4422			241.91	213.97	263		
	44.45	27.94	18	5.7588			255.98	228.04	277		
	44.45	27.94	19	6.0755			270.06	242.12	291		
	44.45	27.94	20	6.3925			284.15	256.21	305		
	44.45	27.94	21	6.7095			298.24	270.30	319		
	44.45	27.94	22	7.0266			312.33	284.39	333		
	44.45	27.94	23	7.3439			326.44	298.50	347		
	44.45	27.94	24	7.6613			340.54	312.60	361		
	44.45	27.94	25	7.9787			354.65	326.71	376		
	44.45	27.94	26	8.2962			368.77	340.83	390		
	44.45	27.94	27	8.6138			382.88	354.94	404		
	44.45	27.94	28	8.9314			397.00	369.06	418		
44.45	27.94	29	9.2491	411.12	383.18	432					
44.45	27.94	30	9.5668	425.24	397.30	446					
只列举到30齿，齿数可根据客户需求定做											
32B	50.8	29.21	9	2.9238	29.5	58.55	148.53	119.32	170	根据客户要求	根据客户要求
	50.8	29.21	10	3.2361			164.39	135.18	186		
	50.8	29.21	11	3.5494			180.31	151.10	202		
	50.8	29.21	12	3.8637			196.28	167.07	218		
	50.8	29.21	13	4.1786			212.27	183.06	234		
	50.8	29.21	14	4.494			228.30	199.09	250		
	50.8	29.21	15	4.8097			244.33	215.12	266		
	50.8	29.21	16	5.1258			260.39	231.18	282		
	50.8	29.21	17	5.4422			276.46	247.25	298		
	50.8	29.21	18	5.7588			292.55	263.34	314		
	50.8	29.21	19	6.0755			308.64	279.43	331		
	50.8	29.21	20	6.3925			324.74	295.53	347		
	50.8	29.21	21	6.7095			340.84	311.63	363		
	50.8	29.21	22	7.0266			356.95	327.74	379		
	50.8	29.21	23	7.3439			373.07	343.86	395		
	50.8	29.21	24	7.6613			389.19	359.98	411		
	50.8	29.21	25	7.9787			405.32	376.11	427		
	50.8	29.21	26	8.2962			421.45	392.24	443		
	50.8	29.21	27	8.6138			437.58	408.37	459		
	50.8	29.21	28	8.9314			453.72	424.51	476		
50.8	29.21	29	9.2491	469.85	440.64	492					
50.8	29.21	30	9.5668	485.99	456.78	508					
只列举到30齿，齿数可根据客户需求定做											